

December 17, 2004
10077.010

Oregon Department of Environmental Quality
Northwest Region
2020 SW Fourth Avenue
Suite 400
Portland, Oregon 97201-4987

VIA First Class

**Subject: IRAM As-Built Drawings
Hydrocarbon Seep IRAM at Slip 2
Remedial Investigation/Feasibility Study
Astoria Area-Wide Petroleum Site
Astoria, Oregon
DEQ ECSI File #2277**

Dear Ms. Coates:

Enclosed are four copies of the above-referenced document. This report is being submitted to you on behalf of the Astoria Area-Wide PRP Group. This report is intended to comply with the terms of DEQ Order No. ECSR-NWR-01-11.

Please call me at (503)768-5121 if you have any questions or comments.

Sincerely,
EnviroLogic Resources, Inc.

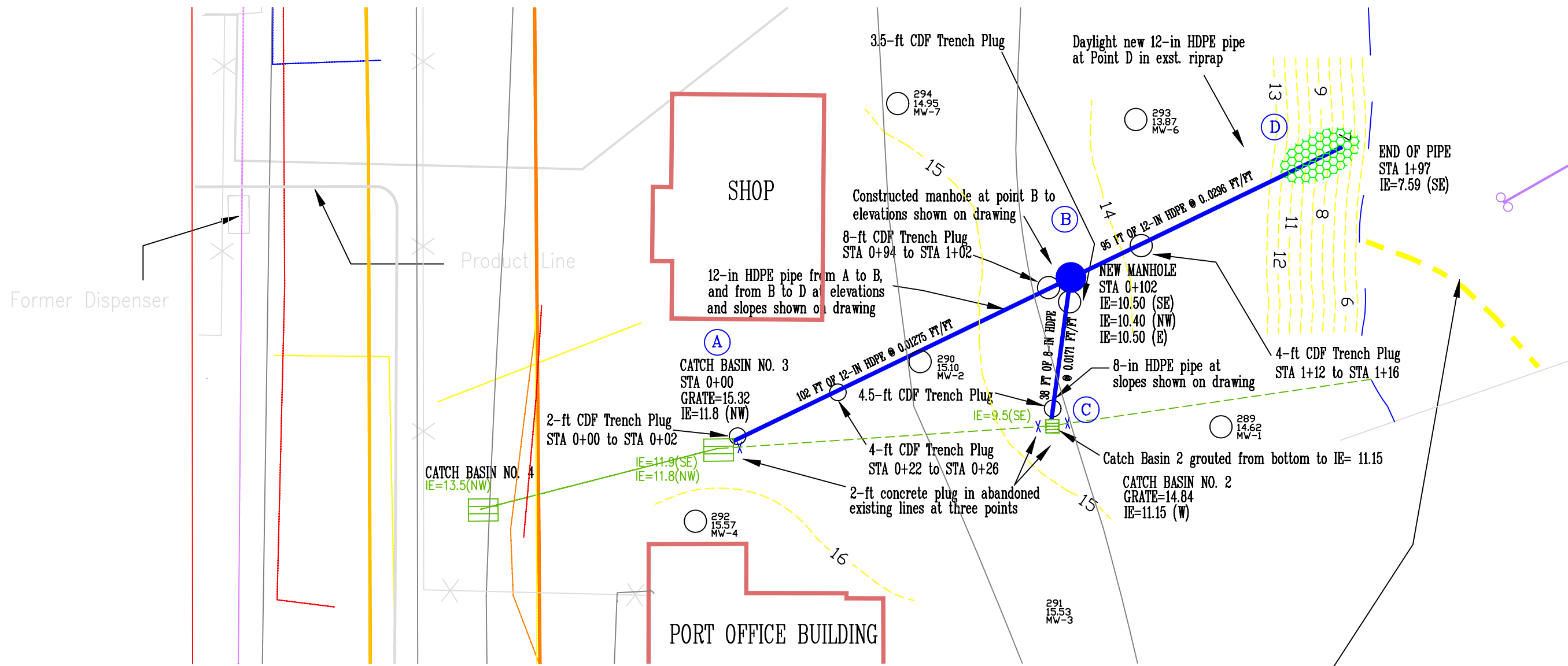
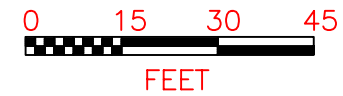
Thomas J. Calabrese, RG, CWRE
Principal/Hydrogeologist
Project Manager

cc: Distribution list attached

Ms. Anna Coates
December 17, 2004
Page 2

**ASTORIA AREA-WIDE PETROLEUM SITE
Distribution List**

- 1 Anna Coates, DEQ Project Manager, Site Response
 - 1 Mike Lilly, Attorney for Port of Astoria
 - 1 Peter Gearin, Port of Astoria
 - 1 Tom Calabrese, *EnviroLogic Resources, Inc.*, Consultant for PoA and AAW PRP Group
 - 1 Max Miller, Tonkon Torp, Attorney for McCall Oil and Chemical Corporation
 - 1 Ted McCall, McCall Oil and Chemical Corporation
 - 1 John Edwards, Anchor Environmental, LLC, Consultant for McCall Oil and Chemical Corp
 - 1 Cary E. Bechtolt, Niemi Oil Company
 - 1 Allan B. Bakalian, Marten Law Group, PLLC, Attorney for Niemi Oil Company
 - 1 Kurt Harrington, AMEC, Inc., Consultant for Niemi Oil Company
 - 1 Ed Platt, Shell Oil Company
 - 1 Rick Glick, Davis Wright Tremaine, Attorney for Shell Oil Company
 - 1 Leon Lahiere, Hart Crowser, Consultant for Shell Oil Company
 - 1 Brian Harris, Harris Enterprises
 - 1 Larry Vandermay, Flying Dutchman
 - 1 David Bartz & Neal Hueske, Schwabe Williamson & Wyatt, Attorney for Flying Dutchman
 - 1 Jerry Hodson, Miller Nash, Attorney for Harris Enterprises
 - 1 Lon Yandell, Kleinfelder, Consultant for Harris Enterprises
 - 1 Richard Delphia, Delphia Oil Company
 - 1 Chuck Smith, Attorney for Delphia Oil Company
 - 1 Alistaire Clary, Maul Foster Alongi, Consultant for Delphia Oil Company
 - 1 Cheryl Morrison, ChevronTexaco Products Company
 - 1 Charles Lambert, Attorney for ChevronTexaco Products Company
 - 1 Gerry Koschal, SAIC, Consultant for ChevronTexaco Products Company
 - 1 Brian Jacobson, Qwest Communications International, Inc.
 - 1 David Bledsoe, Perkins Coie LLP, Attorney for Qwest Communications International, Inc.
 - 1 Donna LaCombe, Tetra Tech EM, Inc., Consultant for Qwest Communications International
 - 1 Anita W. Lovely, Lovely Consulting, Inc., Consultant for Exxon Mobil Corporation
-



SYNTHETIC BOOMS WITH FLOATING ABSORBENT BOOM:
 2 New Synthetic Booms (foam-filled) were installed along same alignment of previous log boom. One new eight-inch diameter synthetic foam-filled boom with twelve-inch drip curtain (Sea-Curtain Standard Foam-Filled Boom Model Number BHD81208RF) and one new six-inch diameter synthetic foam-filled boom with twelve-inch drip curtain (Sea-Curtain Standard Foam-Filled Boom Model Number BHD61208RF). Connecting lines were secured to existing piling and shoreline in a manner that allows boom to rise and fall freely with river level fluctuations. Sorbant boom (Enviromet WB810SN Oil Boom, 4/Bale) was installed inside new synthetic booms. Sorbant boom is composed of material designed to adsorb/skim oil from all terrain and water bodies and double net covered to prevent shedding and protect integrity and function. See Sheet 4 of 4 for detail.

	INITIALS	DATE
DESIGN	BJB	10/28/04
DRAWN	CCA	11/22/04
CHECKED		
APPROVED		

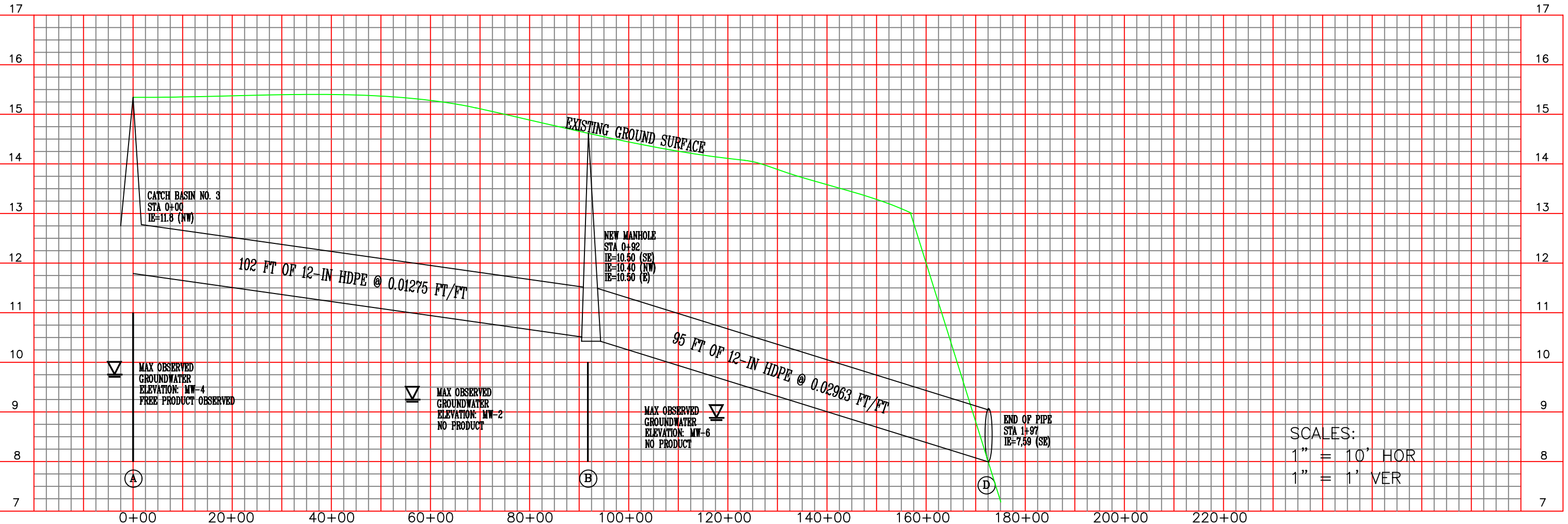
AS-BUILT DRAWING
 SEWER CONSTRUCTION MAY 2004
 BOOM INSTALLATION AUGUST 2004

NO.	REVISIONS	BY	DATE	DATE TO	A	B	C	0	1	2	3	4	5

Hydrocarbon Seep IRAM
 Astoria Area-Wide Petroleum Site
 Astoria, Oregon
 PROJ. NO. RSV_02-060

SHEET NO.	2
OF	4

RSV FILE: SHEET2.DWG



SCALES:
 1" = 10' HOR
 1" = 1' VER

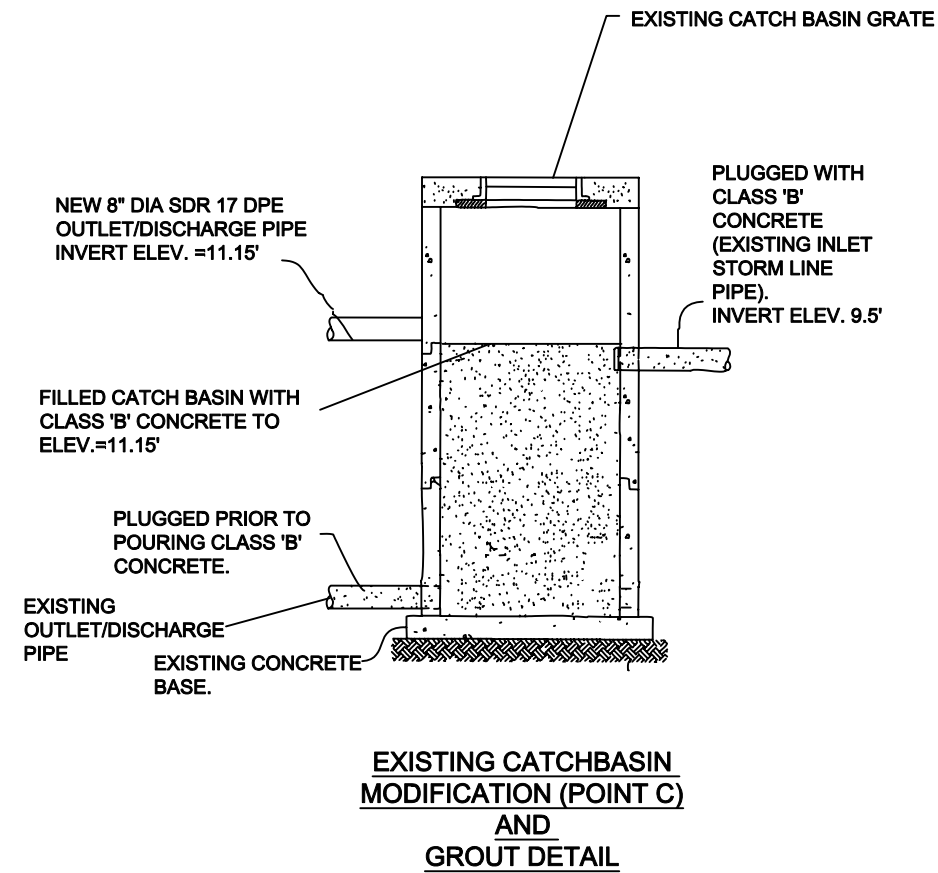
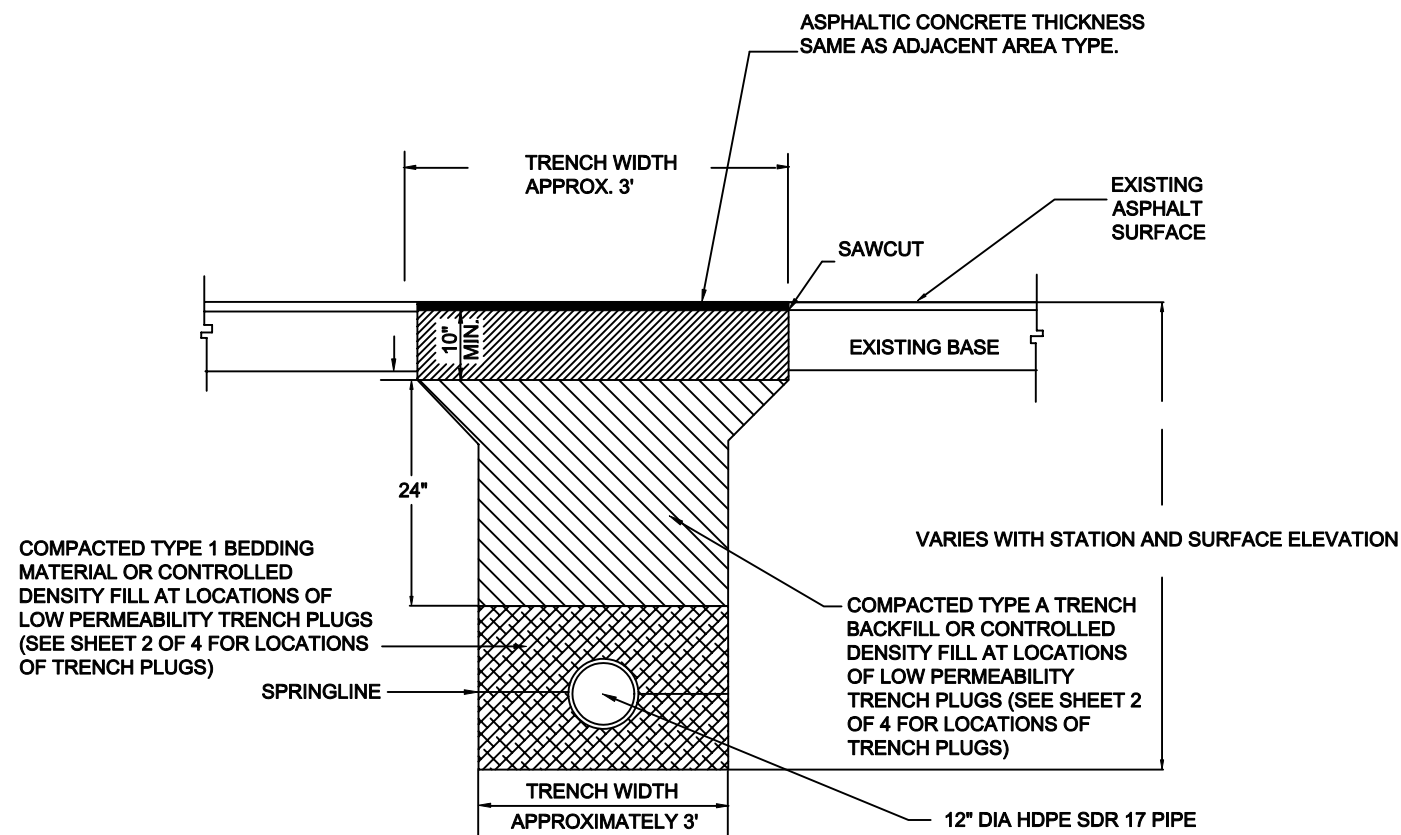
	INITIALS	DATE
DESIGN	BJB	10/28/04
DRAWN	CCA	11/22/04
CHECKED		
APPROVED		

AS-BUILT DRAWING
 SEWER CONSTRUCTION MAY 2004
 BOOM INSTALLATION AUGUST 2004

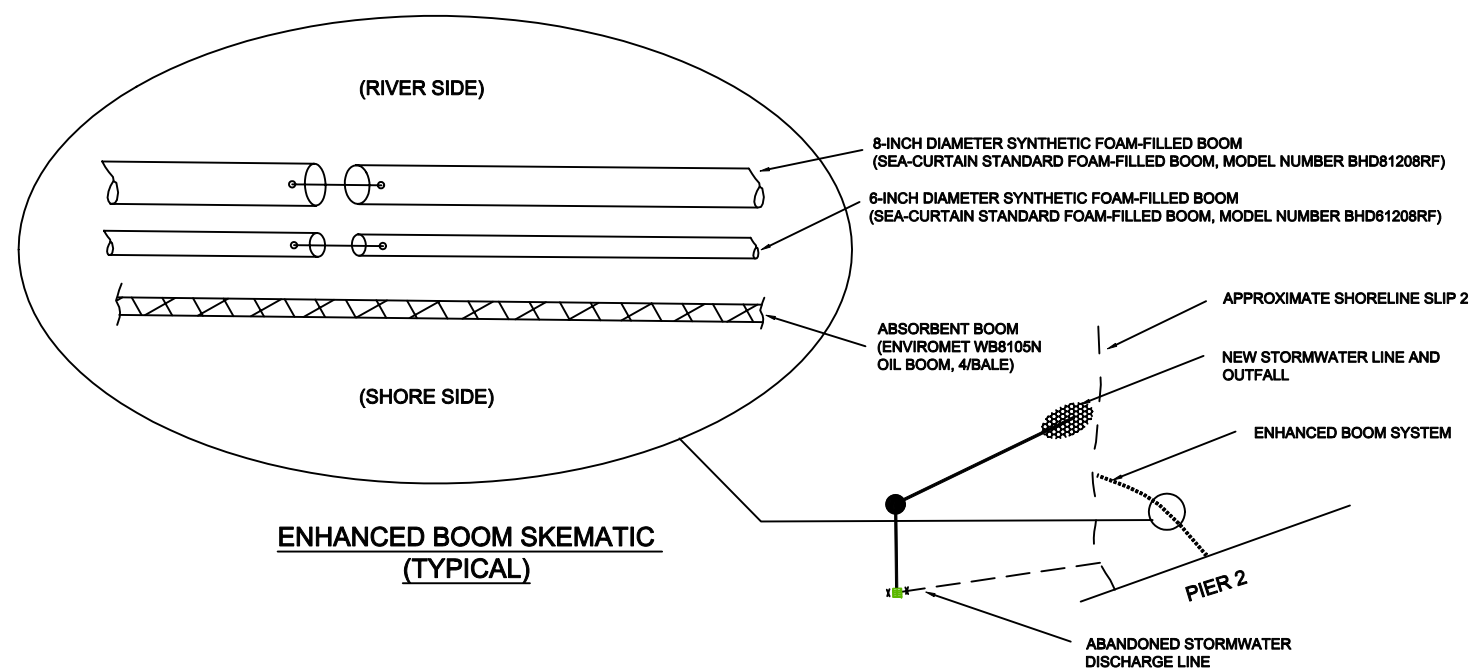
NO.	REVISIONS	BY	DATE	DATE TO	A	B	C	0	1	2	3	4	5

Hydrocarbon Seep IRAM
 Astoria Area-Wide Petroleum Site
 Astoria, Oregon
 PRJ. NO. RSV_02060

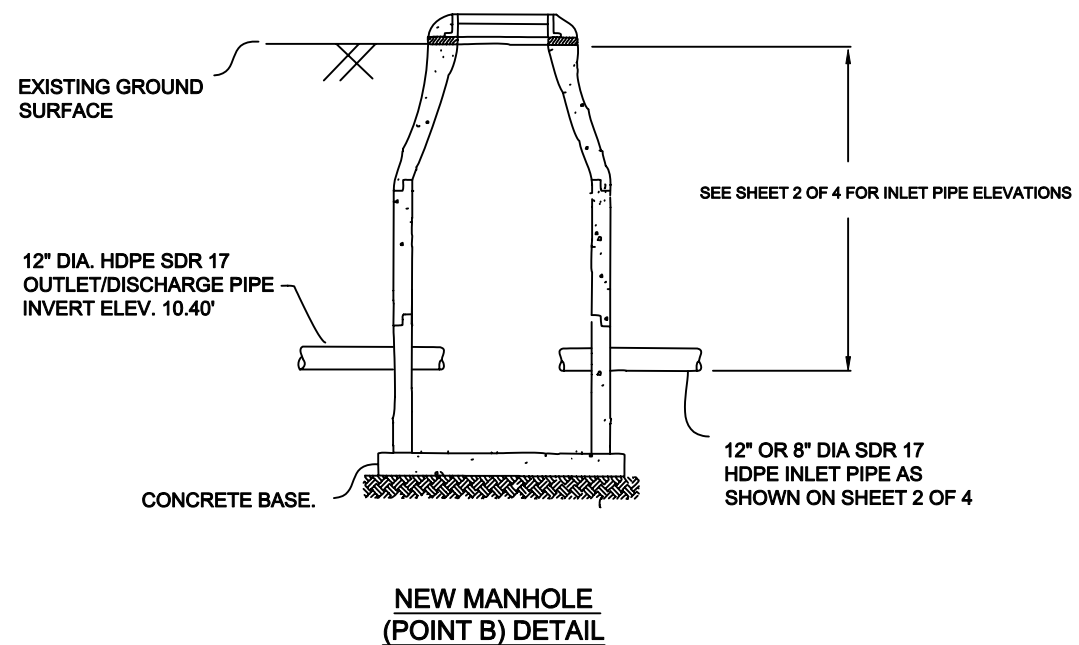
SHEET NO.	3
OF	4



ASPHALT REPLACEMENT AND TRENCHING DETAIL (TYPICAL)



ENHANCED BOOM SKEMATIC (TYPICAL)



NEW MANHOLE (POINT B) DETAIL

NO.	DESCRIPTION	DATE	BY	APPROVED

drawn <i>CCA</i>	struct.	date 11/23/04	scale NONE	file no. SHEET4
checked <i>BUB</i>	mech.	job no. 04-060		
designed <i>RW</i>	elec.	sheet no. 4 of 4		drawing no. DETAILS
civil	qc/qc			